

SPEAKMAN®

SEF-9000

Installation, Maintenance & Operation Instructions

EYESAVER COMBINATION EYEWASH AND SERVICE SINK FAUCET

DESCRIPTION

The SEF-9000 is comprised of the SC-5811-RCP and SEF-9200. Please see additional info below.

SPEAKMAN®

400 Anchor Mill Rd. New Castle, DE 19720 Phone: 800-537-2107 Fax: 800-977-2747
8/30/17 www.speakman.com 92-SEF-9000-01

SPEAKMAN®

SC-5811, SC-5811-RCP

Installation, Maintenance & Operation Instructions

COMMANDER® CAST BRASS SERVICE SINK FITTING

DESCRIPTION

Speakman chrome plated cast brass COMMANDER service sink with PERFECT® valves. ¼ turn ceramic cartridges covered by a 25-year Silver warranty. Integral stops. Vandal-resistant four arm handles with color coded indexes. Cast brass nozzle with ¾" hose thread, pail hook and top brace. Brass vacuum breaker. Brass top brace assembly with wall flange and mounting screws. Distance from finished wall to nozzle outlet is 9". 8" centers with +/- 1/8" adjustment. Adjustable threaded wall flanges. Vandal-resistant standard. ½" NPTF inlets. Certified to ASME A112.18.1/CSA B125.1 and ASSE-1001 standards.

SPECIFICATIONS

OUTLET SUPPLY: ¾" NH MALE.

INLET SUPPLIES: ½" NPT FEMALE.

SC-5811: Polished Chrome Plated

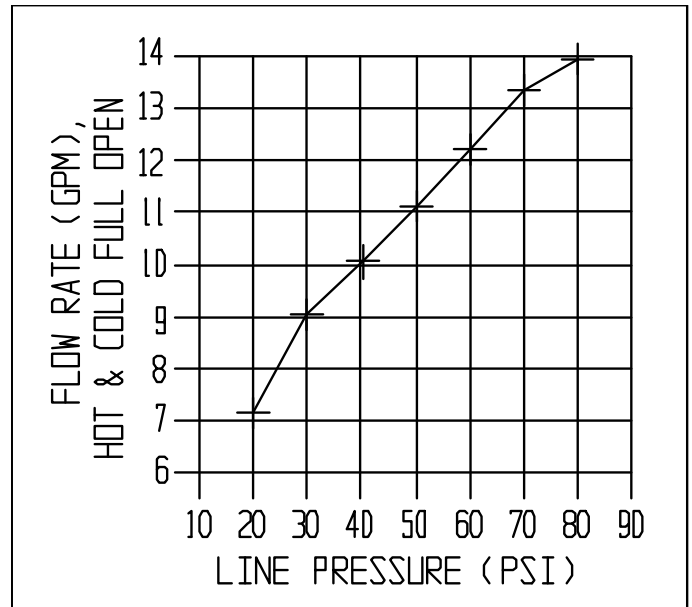
SHIPPING WEIGHT: 6.5 LBS.

SC-5811-RCP: Rough Chrome Plated

SHIPPING WEIGHT: 6.58 LBS.

ADD-ON KITS:

A-CK	Check Valves in Swivel Assembly
A-5H	5 Ft. Vinyl Hose with Wall Hook
SEF-9200	Safety Eyewash Attachment
A-4WRIST	4in. Wrist Blade Handle Kit: 2 Chrome Plated Brass Handles, 2 Screws, 2 Lock Washers, Red & Blue Index Buttons



INSTALLATION

NOTE: Shut off water supplies. Supply lines must have ½" NPT male threaded ends.

Screw down trim flanges onto swivel assemblies. Apply pipe sealant to threads of supply lines.

NOTE: Supply line must stick out of sink finished wall 3/8" (± 3/16"), with both being the same distance.

Screw swivel assemblies onto supply lines. Using a 3/8" square wrench, tighten and position assemblies so they are the same distance apart as the valve body inlets.

NOTE: Swivel assemblies are machined off center for adjustment.

Screw flanges up against sink or wall. Connect brace assembly to nozzle with roll pin provided. Placing rubber washers inside coupling nuts, position fitting up to swivel assemblies and tighten nuts with wrench.

NOTE: Finished wall must be supported where brace flange mounts. Lift brace assembly up against finished wall. Center with nozzle and mark location of holes in brace flange. Drill starter holes for mounting screws. Screw flange to wall using two screws provided. Turn water supplies on and check supply line connections for leaks.

SPEAKMAN®

400 Anchor Mill Rd. New Castle, DE 19720 Phone: 800-537-2107 Fax: 800-977-2747

8/17/17

www.speakman.com

92-SC-5811-01

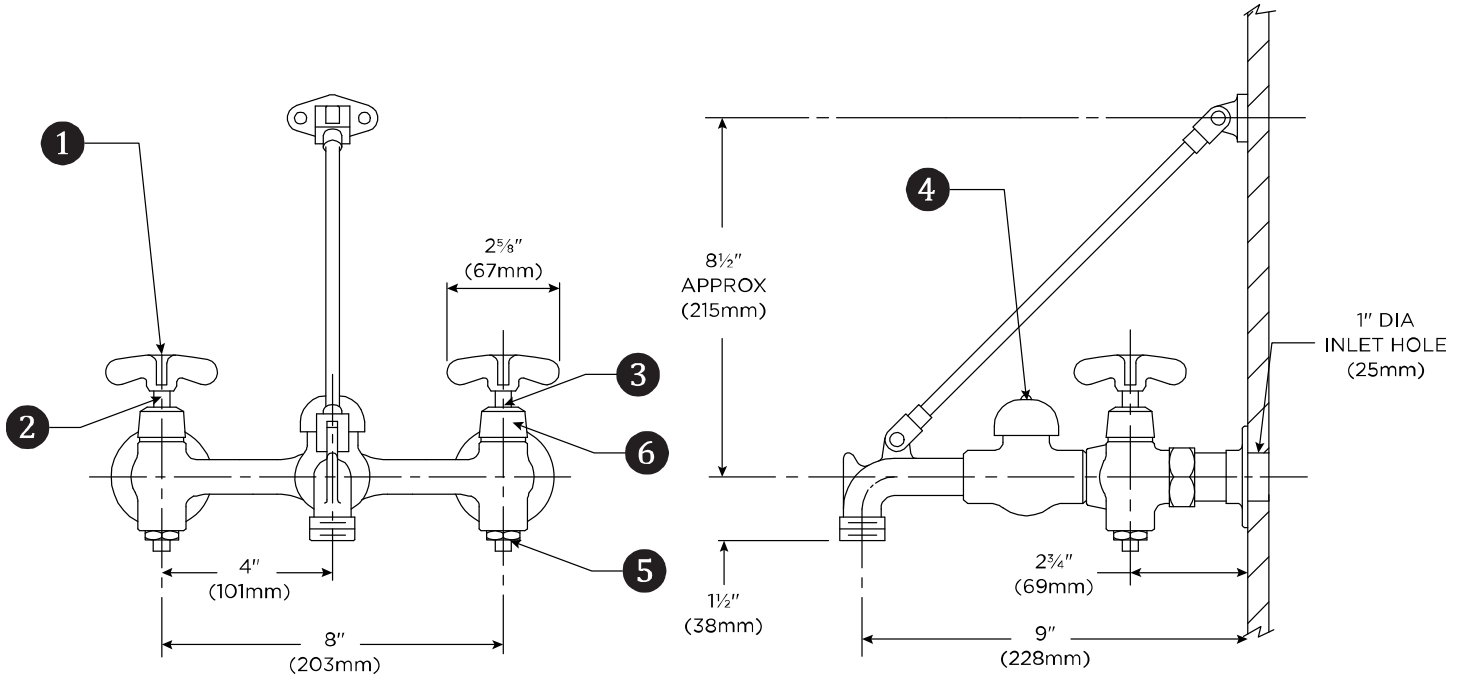
OPERATION

Simply rotate the handles $\frac{1}{4}$ turn maximum to operate the sink fitting.

MAINTENANCE

Valves are washer less and require no routine maintenance. Your SPEAKMAN Commander sink fitting can be cleaned by using mild soap and warm water. Dry immediately with a soft, clean cloth for best results.

ROUGH-IN



NOTES:

1. INLETS ARE 1/2" NPT FEMALE.
2. ALL DIMENSIONS ARE IN INCHES (MILLIMETERS) UNLESS OTHERWISE SPECIFIED AND ARE SUBJECT TO CHANGE WITHOUT NOTICE.

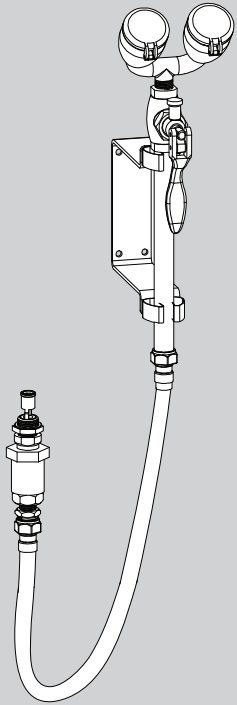
REPLACEMENT/REPAIR PARTS

ITEM	PART/GROUP #	DESCRIPTION
1	RPG04-0323-PC	4 Arm Handle Repair Group w/ Screw and Index Buttons
2	RPG05-0532	Perfect Valve Group (Red) w/ Trim Sleeve and Screw
3	RPG05-0533	Perfect Valve Group (Blue) w/ Trim Sleeve and Screw
4	RPG05-0520	Vacuum Breaker Repair Group w/ Check Assembly, Hub, Cap Screw, and O-Ring
5	RPG03-0361-RCP	Integral Stop Spindle
6	RPG02-0141-PC	Trim Collar for Valve

SPEAKMAN®

INSTRUCTIONS FOR MODELS

SEF-9200



Works With:

SPEAKMAN SC-581X / 583X / 585X Faucets
Ferguson ProFlo PF1119
Fiat 830AA

NEED HELP?

For additional assistance or service please contact:

SPEAKMAN® Company
400 Anchor Mill Road
New Castle, DE 19720

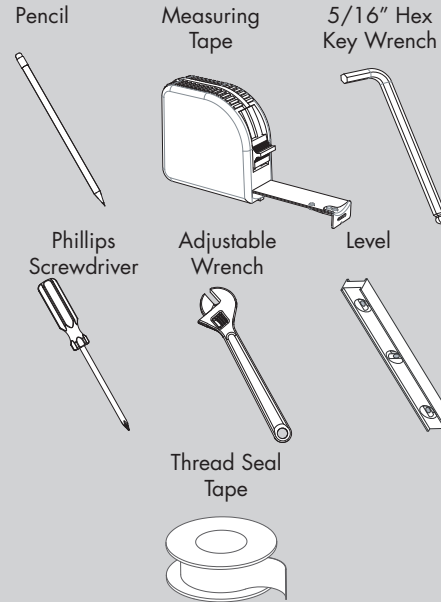
800-537-2107

customerservice@speakman.com

www.speakman.com

92-SEF-9200-02

TOOLS AND SUPPLIES



IMPORTANT



Be sure to read instructions thoroughly before beginning installation. Do not overtighten any connections or damage may occur. The supply line for plumbed eyewash units shall provide an uninterrupted supply of flushing fluid at a minimum of 30 psi flowing pressure. If a shut off valve is installed in the cold supply line of the sink fitting (which supplies the eyewash) for maintenance purposes, provisions shall be made to prevent unauthorized shut off. The sink fitting does not have to be turned on for the eyewash to operate. ANSI Z358.1 requires that all emergency equipment shall be tested weekly to verify proper operation and inspected annually to assure conformance with ANSI Z358.1-2009 requirements.

SAFETY TIPS



Cover your drain to prevent loss of parts. Be sure to wear eye protection while cutting pipe.

MAINTENANCE



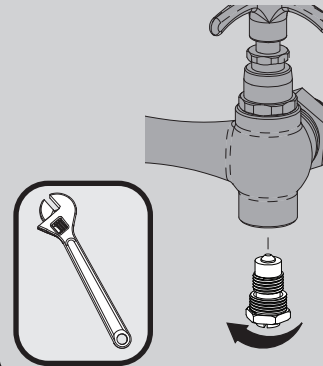
The eyewash valve has a rubber seat washer, which may require periodical maintenance. The eyewash unit can be cleaned using a mild soap and warm water solution. Rinse thoroughly and dry immediately with a soft, clean cloth for best results.

WARRANTY

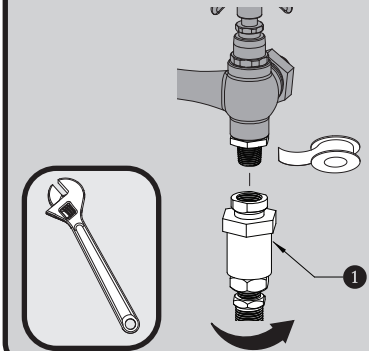


Additional warranty information can be found at:
www.speakman.com

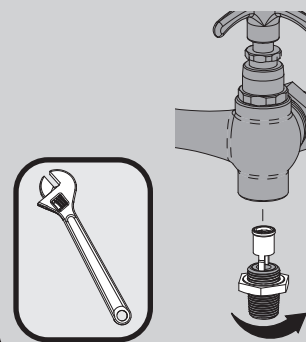
1 After shutting off water supplies, remove the Cold Supply Stop from Faucet.



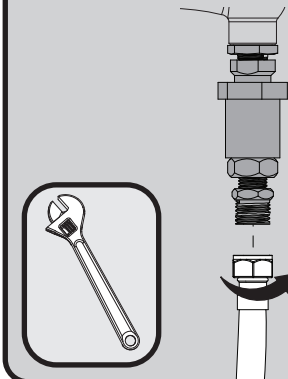
4 After applying Thread Sealant Tape, thread the Vacuum Breaker Assembly (1) onto the Stop Adapter. Wrench tighten.



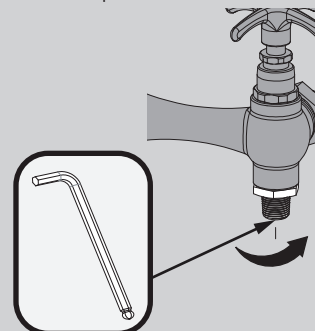
2 After cleaning the seat, thread the Stop Adapter into the Cold Supply Stop location of Faucet. Wrench tighten.



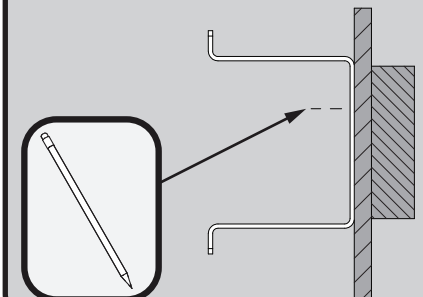
5 Attach Hose end to the the Vacuum Breaker Assembly. Wrench tighten.



3 Tighten the Threaded Insert to create a seal between the Sink Fitting and the Adapter using a 5/16" Allen Wrench in the base of the Adapter.

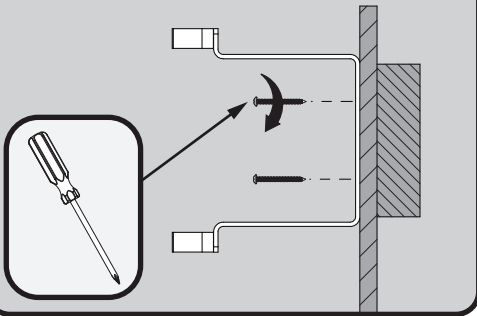


6 After reviewing the Roughing In Diagram, select a suitable location for installation. Using the Mounting Bracket as a template, transfer mounting locations to wall using a pencil. Be sure Bracket is level and plum.

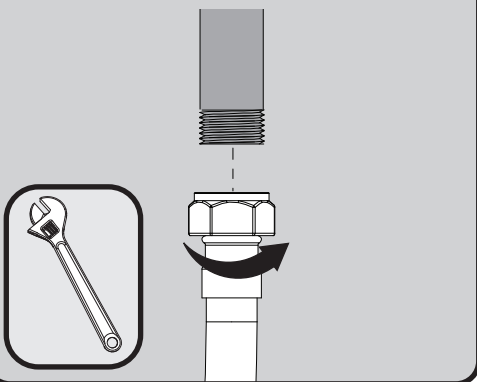


7 Secure Bracket to wood structure (i.e. wall stud) or similar using the supplied screws.

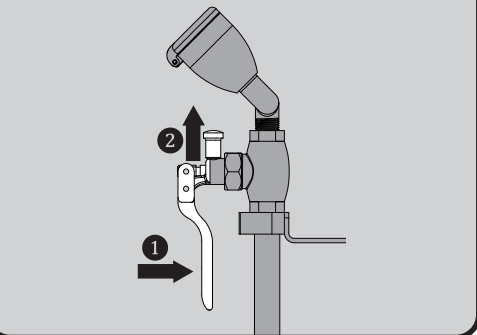
NOTE: If not mounting directly into a wood structure use appropriate hardware capable of supporting item.



8 Attach remaining end of Hose to the base of the Eyewash. Wrench tighten.

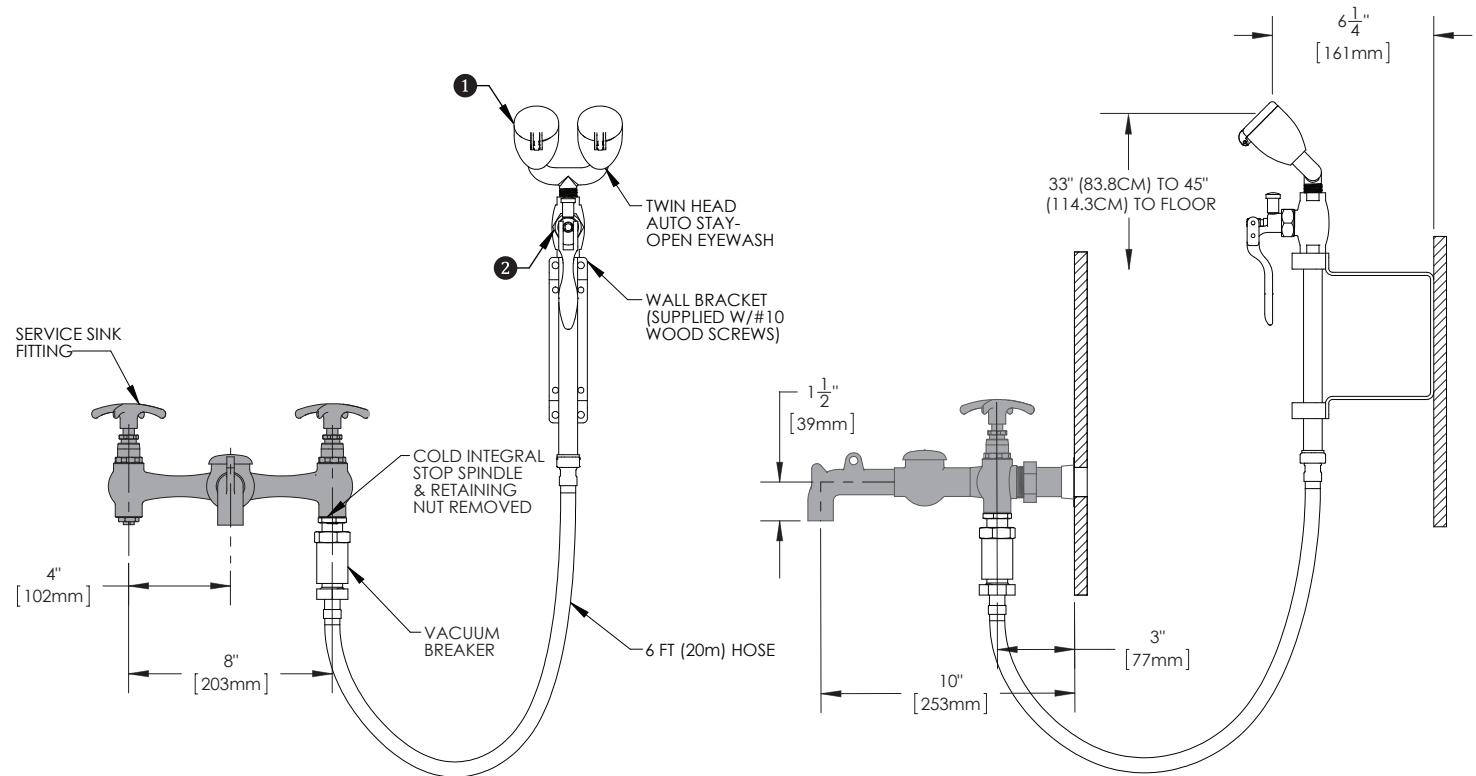


9 The eyewash is activated by squeezing the Handle (1) until it locks into the ON position. To deactivate, the Handle is squeezed while lifting the Stay-Open Plunger (2).



ROUGH-IN DIAGRAMS / REPAIR PARTS

SPEAKMAN®



Note: Dimensions shown are for **SPEAKMAN SC-5811** service sink. Dimensions shown for reference only.

- 1** RPG38-0390 - Yellow Spray Head Assembly
- 2** RPG45-0033 - Rubber Seat Washer And Screw

DIMENSIONS SUBJECT TO CHANGE WITHOUT NOTICE.